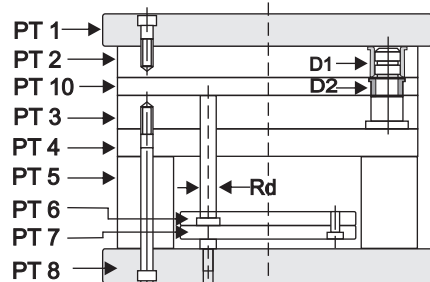
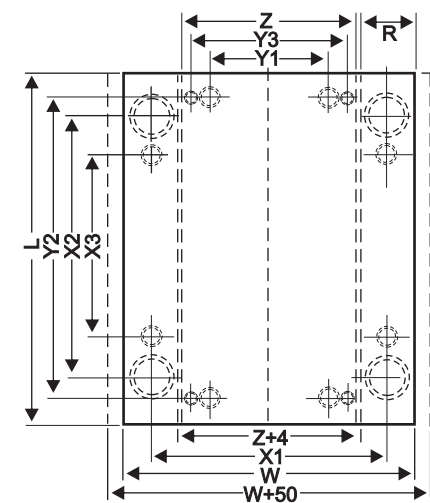
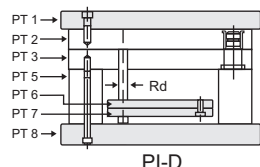
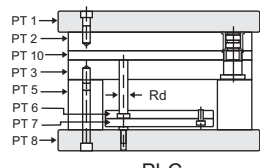
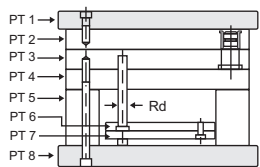
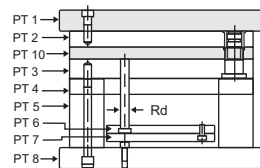


### SIDE GATE SYSTEM MOULD BASES



#### MODELS



PLASTEK CODE	W	L	X1	X2	X3	Y1	Y2	Y3	Z	R	Rd	D1/D2	PT1	PT2	PT	PT	PT	PT	PT	PT	SCREWS SMB EPL
													PT8	PT3	4	5	6	7	10		
PI-A 1010	97	97	76	76	44	-	84	44	55	20	8	16/10	16		20	7	7	16			M6 M4
PI-B 1010	"	"	"	"	"	"	"	"	"	"	"	"	"		20	"	"	-			"
PI-C 1010	"	"	"	"	"	"	"	"	"	"	"	"	"		-	"	"	16			"
PI-D 1010	"	"	"	"	"	"	"	"	"	"	"	"	"		"	"	"	"	"	"	"
PI-A 1012	97	125	76	101	52	-	108	44	55	20	8	16/10	16		20	7	7	16			M6 M4
PI-B 1012	"	"	"	"	"	"	"	"	"	"	"	"	"		20	"	"	-			"
PI-C 1012	"	"	"	"	"	"	"	"	"	"	"	"	"		-	"	"	16			"
PI-D 1012	"	"	"	"	"	"	"	"	"	"	"	"	"		"	"	"	"	"	"	"
PI-A 1212	125	125	100	100	62	55	105	33	73	24	8	18/12	16		20	8	12	16			M6 M4
PI-B 1212	"	"	"	"	"	"	"	"	"	"	"	"	"		20	"	"	-			"
PI-C 1212	"	"	"	"	"	"	"	"	"	"	"	"	"		-	"	"	16			"
PI-D 1212	"	"	"	"	"	"	"	"	"	"	"	"	"		"	"	"	"	"	"	"
PI-A 1216	125	156	131	131	93	55	136	33	73	24	8	18/12	16		20	8	12	16			M6 M4
PI-B 1216	"	"	"	"	"	"	"	"	"	"	"	"	"		20	"	"	-			"
PI-C 1216	"	"	"	"	"	"	"	"	"	"	"	"	"		-	"	"	16			"
PI-D 1216	"	"	"	"	"	"	"	"	"	"	"	"	"		"	"	"	"	"	"	"

### SIDE GATE SYSTEM MOULD BASES

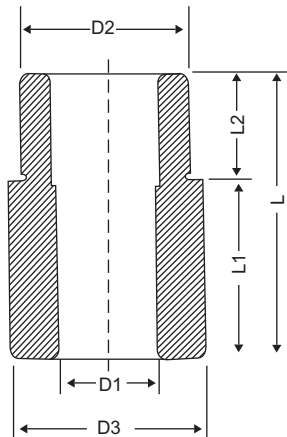
PLASTEK CODE	W	L	X1	X2	X3	Y1	Y2	Y3	Z	R	Rd	D1/D2	PT1	PT2	PT	PT	PT	PT	PT	PT	SCREWS SMB EPL
													PT8	PT3	4	5	6	7	10		
PI-A 1616	156	156	123	123	72	66	130	38	90	31	10	24/16	20		26	46	26	10	12	16	M3 M6
PI-B 1616	"	"	"	"	"	"	"	"	"	"	"	"	"		26	"	"	-			"
PI-C 1616	"	"	"	"	"	"	"	"	"	"	"	"	"		-	"	"	16			"
PI-D 1616	"	"	"	"	"	"	"	"	"	"	"	"	"		-	"	"	-			"
PI-A 1620	156	198	123	163	112	66	170	38	90	31	10	24/16	20		26	26, 32, 36, 46	26	10	12	22	M8 M6
PI-B 1620	"	"	"	"	"	"	"	"	"	"	"	"	"		26	"	"	-			"
PI-C 1620	"	"	"	"	"	"	"	"	"	"	"	"	"		-	"	"	22			"
PI-D 1620	"	"	"	"	"	"	"	"	"	"	"	"	"		-	"	"	-			"
PI-A 1625	156	246	123	213	162	66	220	38	90	31	10	24/16	20		26	16, 20, 26, 36, 46	26	10	12	22	M10 M6
PI-B 1625	"	"	"	"	"	"	"	"	"	"	"	"	"		26	"	"	-			"
PI-C 1625	"	"	"	"	"	"	"	"	"	"	"	"	"		-	"	"	22			"
PI-D 1625	"	"	"	"	"	"	"	"	"	"	"	"	"		-	"	"	-			"
PI-A 2020	196	196	158	158	108	97	168	58	120	36	12	28/20	26		26	26, 36, 46	26	12	16	22	M10 M6
PI-B 2020	"	"	"	"	"	"	"	"	"	"	"	"	"		26	"	"	-			"
PI-C 2020	"	"	"	"	"	"	"	"	"	"	"	"	"		-	"	"	22			"
PI-D 2020	"	"	"	"	"	"	"	"	"	"	"	"	"		-	"	"	-			"
PI-A 2025	196	246	158	208	148	97	218	58	120	36	12	28/20	26		36	26, 36, 46	36	12	16	22	M10 M6
PI-B 2025	"	"	"	"	"	"	"	"	"	"	"	"	"		36	"	"	-			"
PI-C 2025	"	"	"	"	"	"	"	"	"	"	"	"	"		-	"	"	22			"
PI-D 2025	"	"	"	"	"	"	"	"	"	"	"	"	"		-	"	"	-			"
PI-A 2030	196	296	158	258	198	97	268	58	120	36	12	28/20	26		36	46, 56, 66	36	12	16	22	M10 M6
PI-B 2030	"	"	"	"	"	"	"	"	"	"	"	"	"		36	"	"	-			"
PI-C 2030	"	"	"	"	"	"	"	"	"	"	"	"	"		-	"	"	22			"
PI-D 2030	"	"	"	"	"	"	"	"	"	"	"	"	"		-	"	"	-			"
PI-A 2035	196	346	158	308	248	97	318	58	120	36	12	28/20	26		36	26, 36, 46, 56, 66, 76	36	12	16	22	M12 M6
PI-B 2035	"	"	"	"	"	"	"	"	"	"	"	"	"		36	"	"	-			"
PI-C 2035	"	"	"	"	"	"	"	"	"	"	"	"	"		-	"	"	22			"
PI-D 2035	"	"	"	"	"	"	"	"	"	"	"	"	"		-	"	"	-			"
PI-A 2040	196	396	158	358	298	97	368	58	120	36	12	28/20	26		36	26, 36, 46, 56, 66, 76	36	12	16	22	M12 M8
PI-B 2040	"	"	"	"	"	"	"	"	"	"	"	"	"		36	"	"	-			"
PI-C 2040	"	"	"	"	"	"	"	"	"	"	"	"	"		-	"	"	22			"
PI-D 2040	"	"	"	"	"	"	"	"	"	"	"	"	"		-	"	"	-			"
PI-A 2225	214	246	176	208	148	115	218	76	138	36	12	32/24	26		36	26, 36, 46, 56, 66, 76, 86	36	12	16	22	M12 M8
PI-B 2225	"	"	"	"	"	"	"	"	"	"	"	"	"		36	"	"	-			"
PI-C 2225	"	"	"	"	"	"	"	"	"	"	"	"	"		-	"	"	22			"
PI-D 2225	"	"	"	"	"	"	"	"	"	"	"	"	"		-	"	"	-			"
PI-A 2525	246	246	200	200	134	94	218	132	150	46	14	32/24	26		36	26, 36, 46, 56, 66, 76, 86	36	16	26	26	M12 M8
PI-B 2525	"	"	"	"	"	"	"	"	"	"	"	"	"		36	"	"	-			"
PI-C 2525	"	"	"	"	"	"	"	"	"	"	"	"	"		-	"	"	26			"
PI-D 2525	"	"	"	"	"	"	"	"	"	"	"	"	"		-	"	"	-			"
PI-A 2530	246	296	200	250	184	94	268	132	150	46	14	32/24	26		36	26, 36, 46, 56, 66, 76, 86	36	16	26	26	M12 M8
PI-B 2530	"	"	"	"	"	"	"	"	"	"	"	"	"		36	"	"	-			"
PI-C 2530	"	"	"	"	"	"	"	"	"	"	"	"	"		-	"	"	26			"
PI-D 2530	"	"	"	"	"	"	"	"	"	"	"	"	"		-	"	"	-			"
PI-A 2535	246	346	346	300	234	94	318	132	150	46	14	32/24	26		36	26, 36, 46, 56, 66, 76, 86	36	16	26	26	M12 M8
PI-B 2535	"	"	"	"	"	"	"	"	"	"	"	"	"		36	"	"	-			"
PI-C 2535	"	"	"	"	"	"	"	"	"	"	"	"	"		-	"	"	26			"
PI-D 2535	"	"	"	"	"	"	"	"	"	"	"	"	"		-	"	"	-			"





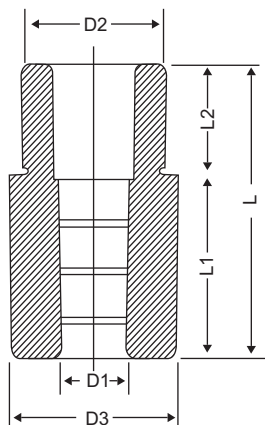
### ACCESSORIES FOR DIE SETS

#### GUIDE BUSH FOR BALL CAGE SET



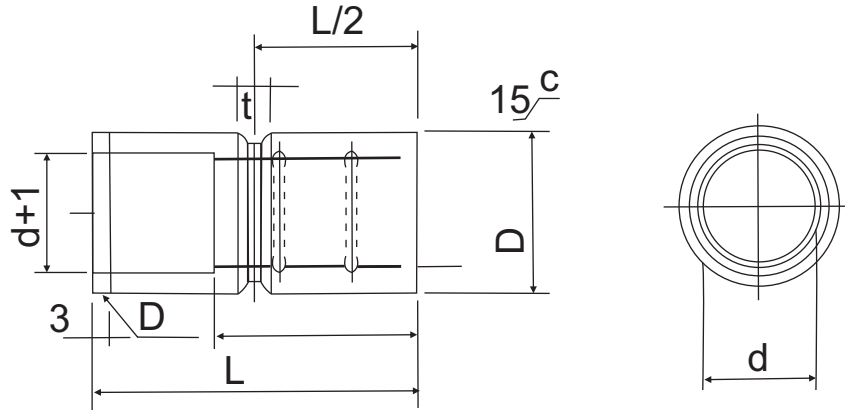
PLASTEK INDIA CODE	Nom. Pin d $\varnothing$	D1	D2	D3	L1	L2	L
PI SBB 1	14	20	31	35	40	25	65
PI SBB 2	15	21	31	35	40	25	65
PI SBB 3	16	24	34	38	40	30	70
PI SBB 4	18	26	34	38	40	30	70
PI SBB 5	19	27	38	43	45	30	75
PI SBB 6	20	28	38	43	45	30	75
PI SBB 7	22	30	40	45	50	35	85
PI SBB 8	24	32	44	45	50	35	85
PI SBB 9	25	33	44	49	50	35	85
PI SBB 10	28	36	48	54	60	40	100
PI SBB 11	30	38	52	58	60	40	100
PI SBB 12	32	40	52	58	60	40	100
PI SBB 13	36	44	58	62	60	45	105
PI SBB 14	38	46	58	62	60	45	105
PI SBB 15	40	48	60	66	65	50	115
PI SBB 16	45	53	68	71	65	50	115
PI SBB 17	48	56	68	71	65	50	115
PI SBB 18	50	60	72	78	70	50	120

#### Guide Bush for Plain Pillar Set



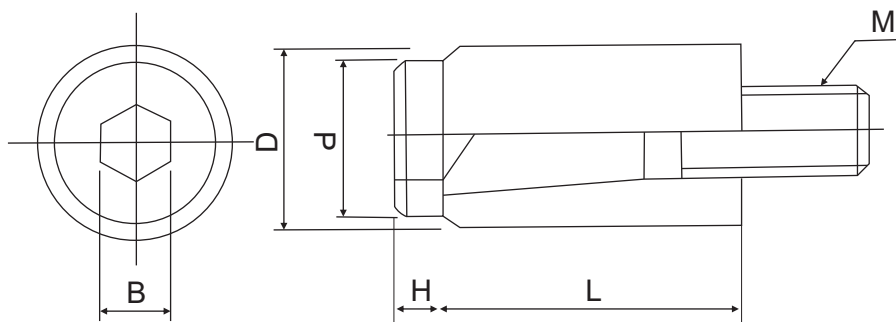
PLASTEK INDIA CODE	Nom. Pin d $\varnothing$	D1	D2	D3	L1	L2	L
PI SB 1	14	14	22	26	40	20	60
PI SB 2	15	15	22	26	40	20	60
PI SB 3	16	16	24	29	40	20	60
PI SB 4	18	18	24	29	40	20	60
PI SB 5	19	19	28	31	45	25	70
PI SB 6	20	20	28	31	45	25	70
PI SB 7	22	22	30	35	50	25	75
PI SB 8	24	24	35	39	50	30	80
PI SB 9	25	25	35	39	50	30	80
PI SB 10	28	28	38	43	60	35	95
PI SB 11	30	30	40	44	60	40	100
PI SB 12	32	32	43	48	60	40	100
PI SB 13	36	36	50	53	60	40	100
PI SB 14	38	38	50	53	60	40	100
PI SB 15	40	40	52	57	65	45	110
PI SB 16	45	45	62	65	65	50	115
PI SB 17	48	48	64	70	65	50	120
PI SB 18	50	50	64	70	70	50	120

## Precision Leader Bushing



d	D	t	e										
			L10	L15	L20	L25	L30	L35	L40	L50	L60	L70	L80
8	12	6 (L=10→) t=4					-	-	-				
10	14							-		-			
12	18										-	-	-
13	20												-
16	25	6											
20	30												
25	35	8	-										
28	40			-	-								
30	42												

## PARTING LOCKS



Type	D	d	H	L	M	B
	10	8.5	3	18	M5	4
	12	11	3.5	20	M6	5
	13	11	3.5	20	M6	5
	16	14	4	25	M8	6
	20	16	5	30	M10	8

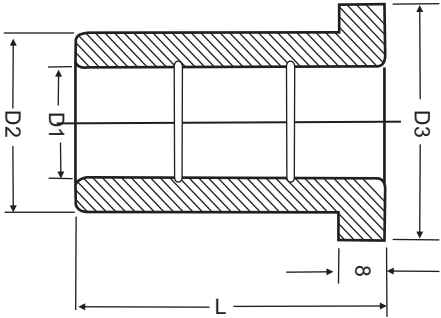


# PLASTEK INDIA

## DIES & MOULDS ACCESSORIES

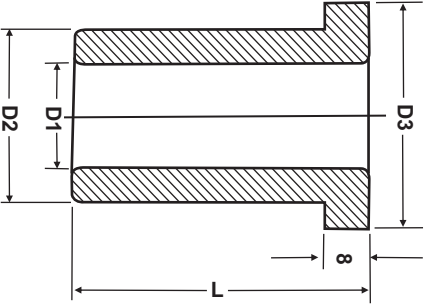
### ACCESSORIES FOR DIE SETS

#### STRIPPER BUSH



PLASTEK INDIA CODE	Nom. Pin dØ	D1	D2	D3	L
PISTB1	14	14	22	26	22.27
PISTB2	15	15	22	26	22.27
PISTB3	16	16	24	29	22.27.32
PISTB4	18	18	24	29	22.27.32
PISTB5	19	19	28	31	27.32
PISTB6	20	20	28	31	27.32
PISTB7	22	22	30	35	27.32
PISTB8	24	24	35	39	32.37
PISTB9	25	25	35	39	32.37
PISTB10	28	28	38	43	37.42
PISTB11	30	30	40	44	37.42
PISTB12	32	32	43	48	37.42
PISTB13	36	36	50	53	37.42
PISTB14	38	38	50	53	37.42
PISTB15	40	40	52	57	42.47.52
PISTB16	45	45	62	64	47.52.57
PISTB17	48	48	64	70	62.67
PISTB18	50	50	64	70	62.67

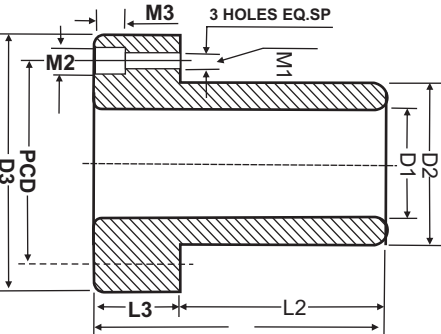
#### STRIPPER BUSH (BALL CAGE)



PLASTEK INDIA CODE	Nom. Pin dØ	D1	D2	D3	L
PISTBB1	14	20	31	35	22.27.32
PISTBB2	15	21	31	35	22.27.32
PISTBB3	16	24	34	38	22.32
PISTBB4	18	26	34	38	22.32
PISTBB5	19	27	38	43	32.37.42
PISTBB6	20	28	38	43	32.37.42
PISTBB7	22	30	40	45	37.42
PISTBB8	24	32	44	49	37.42.47
PISTBB9	25	33	44	49	37.42.47
PISTBB10	28	36	48	54	42.47
PISTBB11	30	38	52	58	42.47
PISTBB12	32	40	52	58	42.47.52
PISTBB13	36	44	58	62	42.47.52
PISTBB14	38	46	58	62	42.47.52
PISTBB15	40	48	60	66	42.47.52
PISTBB16	45	53	68	71	47
PISTBB17	48	56	68	71	47
PISTBB18	50	60	72	78	47.52

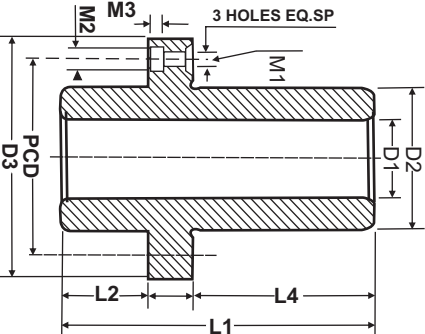
### ACCESSORIES FOR DIE SETS

#### GUIDE BUSH FOR BALL CAGE SET



PLASTEK INDIA CODE	Nom. Pin dØ	D1	D2	D3	L1	L2	L3	M1	M2	M3	P.C.D.
PIGBA1	14	20	31	55	30	20	10	4.2	8.5	4.5	42
PIGBA2	15	21	31	55	30	20	10	4.2	8.5	4.5	42
PIGBA3	16	24	34	56	30	20	10	4.2	8.5	4.5	45
PIGBA4	18	26	34	56	30	20	10	4.2	8.5	4.5	45
PIGBA5	19	27	38	58	35	25	10	4.2	8.5	4.5	48
PIGBA6	20	28	38	58	35	25	10	4.2	8.5	4.5	48
PIGBA7	22	30	40	60	35	25	10	4.2	8.5	4.5	51
PIGBA8	24	32	44	64	40	25	10	4.2	8.5	4.5	55
PIGBA9	25	33	44	64	40	30	10	4.2	8.5	4.5	55
PIGBA10	28	36	48	70	45	30	10	4.2	8.5	4.5	59
PIGBA11	30	38	52	74	52	40	12	6.2	10.5	6.5	64
PIGBA12	32	40	52	74	52	40	12	6.2	10.5	6.5	64
PIGBA13	36	44	58	80	52	40	12	6.2	10.5	6.5	69
PIGBA14	38	46	58	80	52	40	12	6.2	10.5	6.5	69
PIGBA15	40	48	60	84	52	40	12	6.2	10.5	6.5	70
PIGBA16	45	53	68	90	65	45	15	6.2	10.5	6.5	79
PIGBA17	48	56	68	90	65	45	15	6.2	10.5	6.5	79
PIGBA18	50	60	72	95	65	45	15	6.2	10.5	6.5	84

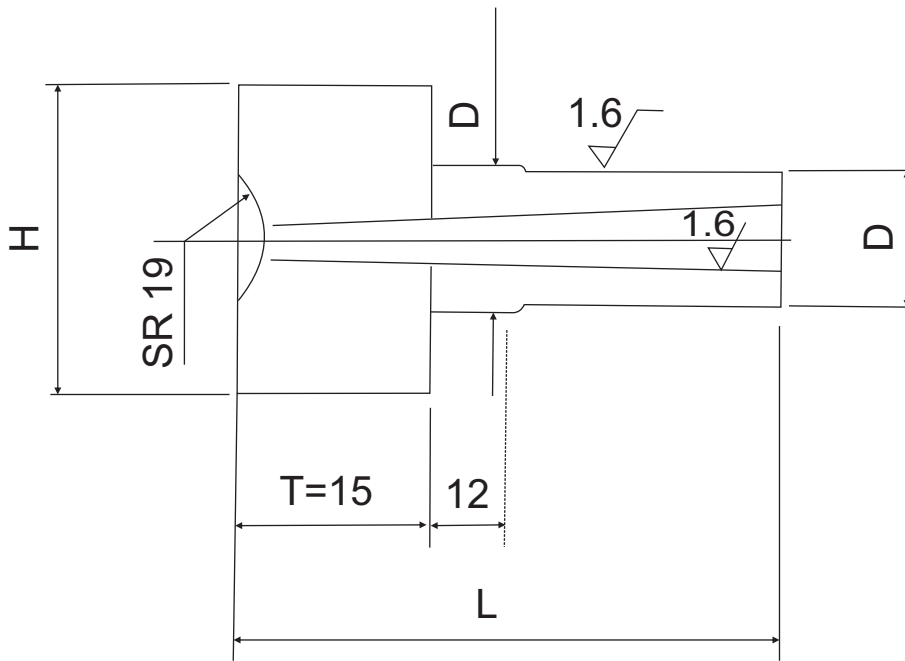
Note : this type is recommended where space is limited and further operation on bore is not required the bush is secured with a wingring fit screwed to the bolster



PLASTEK INDIA CODE	Nom. Pin dØ	D1	D2	D3	L1	L2	L3	L4	M1	M2	M3	P.C.D.
PIGB1	14	20	31	55	60	20	10	30	4.2	8.5	4.5	42
PIGB2	15	21	31	55	60	20	10	30	4.2	8.5	4.5	42
PIGB3	16	24	34	56	60	20	10	30	4.2	8.5	4.5	45
PIGB4	18	26	34	56	60	20	10	30	4.2	8.5	4.5	45
PIGB5	19	27	38	58	70	25	10	35	4.2	8.5	4.5	48
PIGB6	20	28	38	58	70	25	10	35	4.2	8.5	4.5	48
PIGB7	22	30	40	60	70	25	10	35	4.2	8.5	4.5	51
PIGB8	24	32	44	64	70	25	10	35	4.2	8.5	4.5	55
PIGB9	25	33	44	64	80	30	10	40	4.2	8.5	4.5	55
PIGB10	28	36	48	70	80	30	10	40	4.2	8.5	4.5	59
PIGB11	30	38	52	74	102	40	12	50	6.2	10.5	6.5	64
PIGB12	32	40	52	74	102	40	12	50	6.2	10.5	6.5	64
PIGB13	36	44	58	80	102	40	12	50	6.2	10.5	6.5	69
PIGB14	38	46	58	80	102	40	12	50	6.2	10.5	6.5	69
PIGB15	40	48	60	84	102	40	12	50	6.2	10.5	6.5	70
PIGB16	45	53	68	90	110	45	15	50	6.2	10.5	6.5	79
PIGB17	48	56	68	90	110	45	15	50	6.2	10.5	6.5	79
PIGB18	50	60	72	95	110	45	15	50	6.2	10.5	6.5	84

Note : the bushes are ideally suited where longer stroke is used and longer guide length is necessary.

## SPRUE BUSH

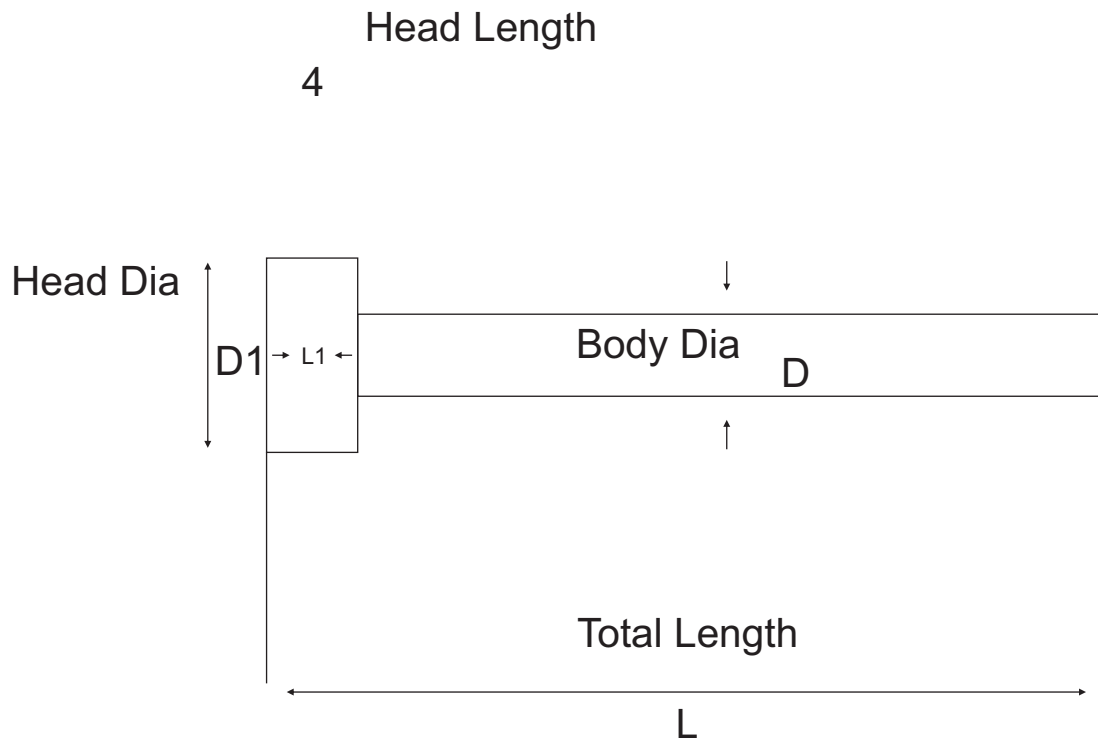


Type No.	D	H	T	L											
				50	60	70	80	90	100	110	120	130	140	150	
PISB	12	25	15	✓	✓	✓	✓	✓	✓	✓	✓	✓	✓	✓	✓
	16	35		✓	✓	✓	✓	✓	✓	✓	✓	✓	✓	✓	✓
	20			✓	✓	✓	✓	✓	✓	✓	✓	✓	✓	✓	

mm

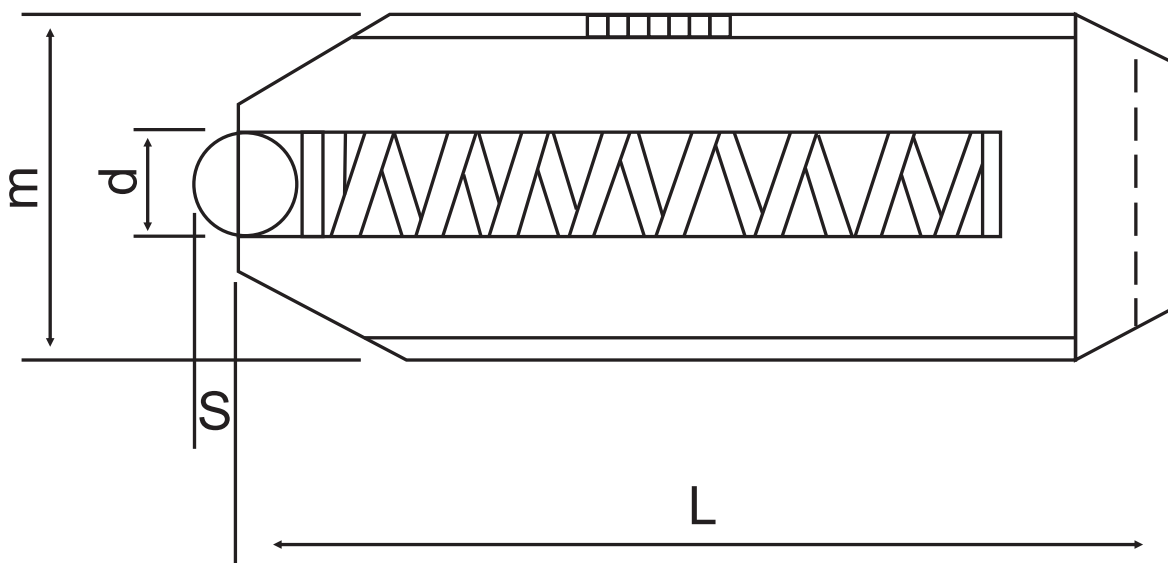


### EJECTOR PINS



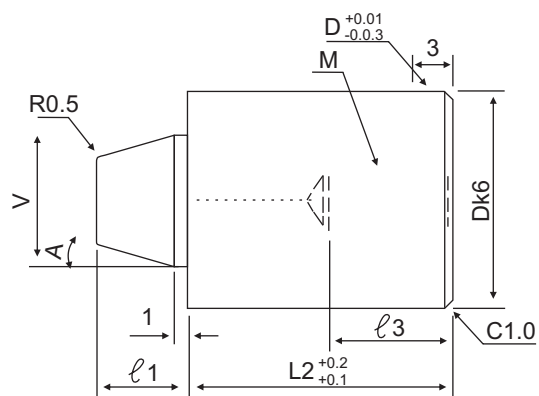
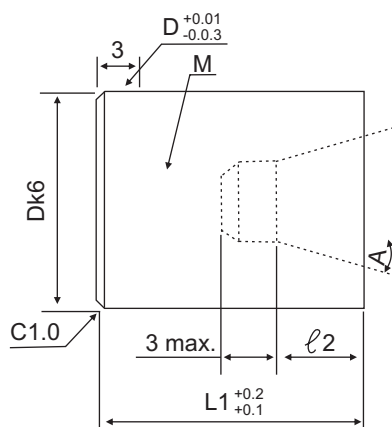
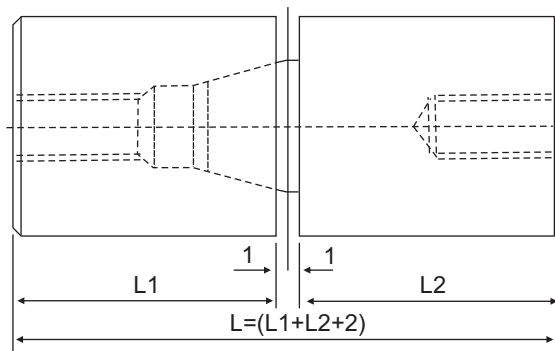
Body Dia (D)	02	2.5	03	04	05	06	08	10	12.5	
Head Dia (D1)	04	05	06	08	10	10	.12	14	16	
Head Length (L1)	02	02	03	03	03	05	05	05	07	
Total Length (L)	Price Each in Rupees									
	100	40	40	40	45	50	55	70	85	95
	125	45	45	45	50	55	60	75	90	105
	160	45	45	45	55	65	70	85	95	120
	200	50	50	50	60	75	80	100	120	130
	250	60	60	60	65	80	85	115	135	145
	300	65	65	65	85	105	110	130	160	165
	350	These size are available on order only								
	400									
	450									
500										

## BALL PLUNGERS



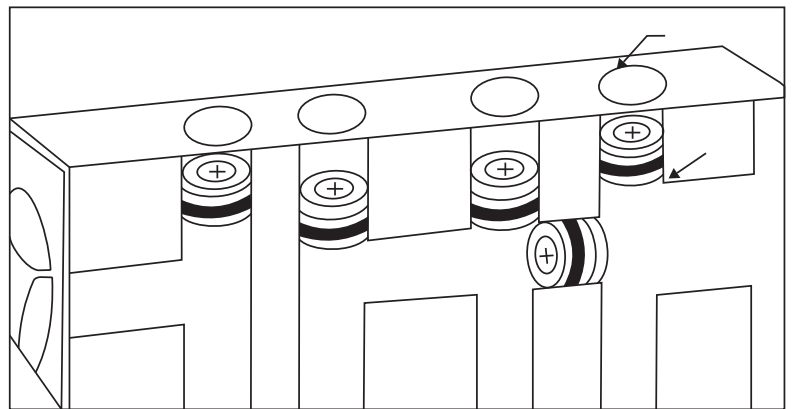
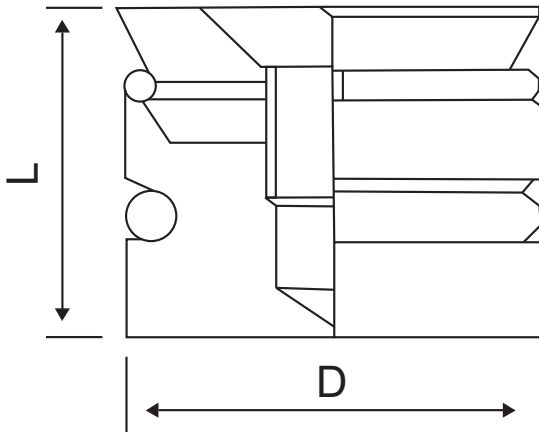
		d	S	L	min max load	
PIBP - 4	4X0.7	2.5	1.0	9	0.3	1.0
PIBP - 5	5X0.8	3.0	1.0	12	0.5	1.5
PIBP - 6	6X1.0	3.5	1.5	14	0.7	2.0
PIBP - 8	8X1.25	5.0	1.8	16	0.9	2.5
PIBP - 10	10X1.5	6.0	2	19	1.0	3.0
PIBP - 12	12X1.75	8.0	3	22	1.6	5.0
PIBP - 16	16X2.0	10.0	4	25	2.5	8.0

### ROUND TAPER LOCKS



Type	D k6	A	V	L	L1	L12	l1	l2	l3	M
PIRTL	13	5°	8.5	30	14	14	6	5	10	M4
	16		10	30	14	14	6	5	10	M5
	20		13	40	19	19	9	8	12	M6
	25		16	50	24	24	12	11	16	M8
	30		20	60	29	29	15	14	20	M10
	32		20	60	29	29	15	14	20	M10
	35		24	70	34	34	18	17	24	M12
	42		30	80	39	39	24	23	24	M12

### MOULD COOLING PLUGS



#### FEATURES

Based on the water flow directions, any of the cooling and heating systems will have the fitting function in the plastic mold

#### HOW TO USE IT :

1. When installing into molds, please make sure the space is at least 0.1mm wider than cooling circuit plugs.
2. If there is no specific setting for the cooling circuit plugs : first release, then using the air spray to reset.

#### Theory :

According to sloping Principle, the O-Ring and springs will enlarge to fit the cooling circuit plugs.

Pressure capacity :

Using:

8mm cooling circuit plugs for over 16kg/cm<sup>2</sup>

10mm cooling circuit plugs for over 16kg/cm<sup>2</sup>

12mm cooling circuit plugs for over 16kg/cm

#### Specialty :

1. No tapping, no rust
2. Can be adjusted for tightness
3. Can be placed at any water path and moved accordingly.
4. Can be cooling down or heating up by water or oil.
5. Under normal operating temperature:-5~+135°c
6. Special operating temperature: 10~+280°c

Catalog No.		L
Type	D	
PIMCP	6	10
	8	10
	10	11
	12	12

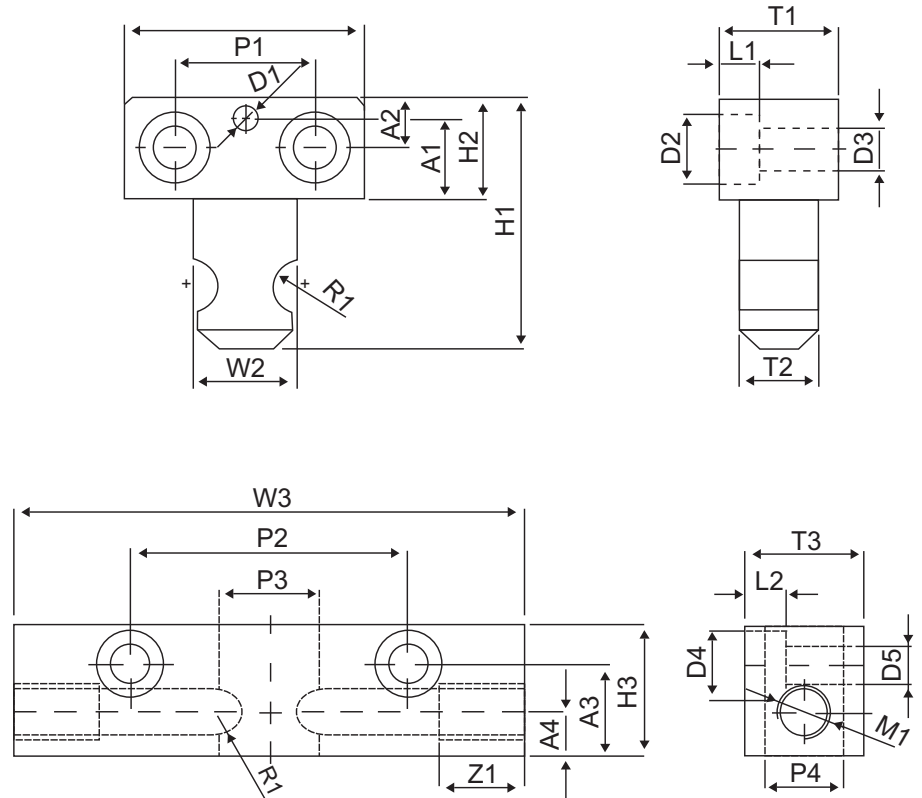
### OIL STONES

KEMET STONE TYPE "E"	GRIT SIZE	UNIT PRICE (RS./PC.)
4X4X100mm	220, 400, 600, 800, 1000,1200	120 150 200
6X1.5X150mm	Same as above	120 150 200
6X3X150mm	Same as above	120 150 200
6X6X150mm	Same as above	120 150 200
13X3X150mm	Same as above	120 150 200
13X6X150mm	Same as above	120 150 200
13X1.5X150mm	Same as above	120 150 200
3X3X150mm	Same as above	120 150 200

Packing : 1 Box of 12 Pcs.

## SLIDE LOCK SETS

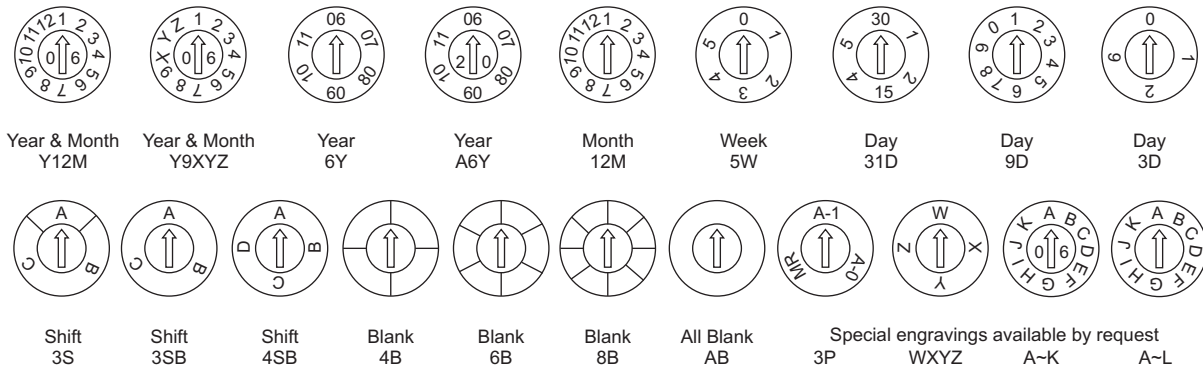
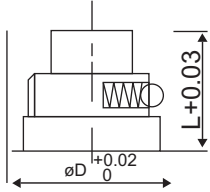
	Type No.	
	GRLA	GRLB
A1	20	6
A2	12.5	12
A3	23	21
A4	11	10
D1	6	5
D2	14	10.5
D3	10	6.5
D4	17	11
D5	10	6.5
H1	62.5	48
H2	25	20
H3	33	28
L1	10	6.5
L2	10	6.5
M1	M14*2.0	M12*1.75
P1	35	25
P2	70	60
P3	26	18
P4	20	12.5
R1	R6.5	R4.25
T1	30	20.5
T2	19.5	12
T3	30	20.5
W1	60	40
W2	25.5	17.5
W3	127.5	86
Z1	21	20
	350	190



# PLASTEK INDIA

## DIES & MOULDS ACCESSORIES

### DATE INSERTS



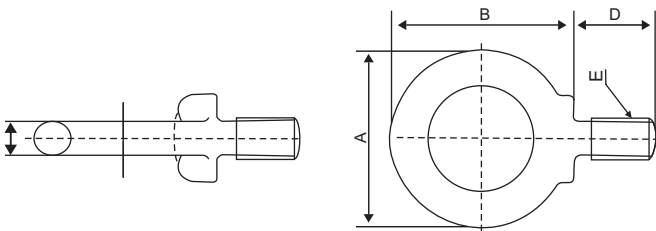
**M** SUS420 **H** HRC48°-50°

Type	Type No.		Laser Printing/Engraving Characters									
	øD	L	Year & Month Y12M	Year 6Y	Month 12M	Day 3D	Day 31D	Shift 3S/3SB	Bank 4B	Bank 8B	3P	A-K
			Year & Month Y9M XYZ	Year A6Y	Week 5W	Day 9D		Shift 4SB	Blank 6B	All Blank AB	WXYZ	A-L
PIDI	4	6				220		220	140	140	165	165
		8	248			220		220	140	140	165	165
	5	8		170	170	170	95	170	140	140	165	165
		6	8				90	120	90	90	90	90
	6	10				90	120	90	90	90	90	90
		8	10				60	90	60	60	60	60
	10	10					90	60	60	60	60	60
		12					90	60	60	60	60	60
	12	12					90	60	60	60	60	60
	16	14					70	70	70	70	70	70
20	14					100	90	90	90	90	90	
25	20					108	100	100	100	100	100	

# PLASTEK INDIA

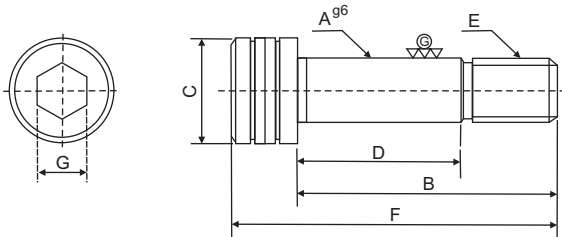
## DIES & MOULDS ACCESSORIES

### LIFTING EYEBOLT



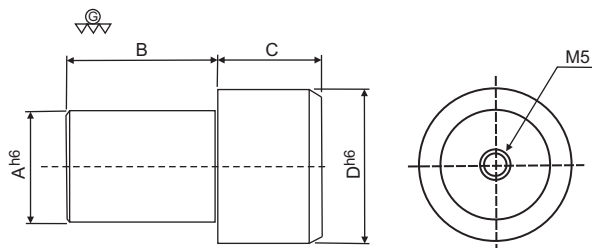
Type No.	A	B	C	D	E	kg	kg	Price:(HKD)
PTLEB - 08	32.6	33.3	6.3	15	M8	80	0.032	
PTLEB - 10	41	41.5	8	18	M10	150	0.063	
PTLEB - 12	50	51	10	22	M12	220	0.125	
PTLEB - 16	60	60	12.5	27	M16	450	0.216	
PTLEB - 20	72	71	16	30	M20	630	0.4	
PTLEB - 24	90	90	20	38	M24	950	0.83	
PTLEB - 30	110	110	25	45	M30	1500	1.5	
PTLEB - 36	133	131.5	31.5	55	M36	2300	2.9	
PTLEB - 42	151	150.5	35.5	65	M42	3400	4.4	

### SHOULDER BOLT



Type No.	A	B	C	D	E	F	G	kg	Price:(HKD)
PISBLT - 1	12	45	18	23	M12	57	10	0.053	
PISBLT - 2	12	55	18	33	M12	67	10	0.060	
PISBLT - 3	12	65	18	43	M12	77	10	0.070	
PISBLT - 4	12	75	18	53	M12	87	10	0.078	
PISBLT - 5	16	55	24	30	M16	72	14	0.120	
PISBLT - 6	16	65	24	40	M16	82	14	0.140	
PISBLT - 7	16	75	24	50	M16	92	14	0.150	

### SHOULDER DOWEL PIN



Type No.	A	B	C	D	kg	Price:(HKD)
PI DP - 1	8	13	12	12	0.012	
PI DP - 2	12	18	14	16	0.032	
PI DP - 3	14	22	15	20	0.052	
PI DP - 4	16	22	17	22	0.072	
PI DP - 5	18	25	17	25	0.098	



# PLASTEK INDIA

## DIES & MOULDS ACCESSORIES

### SPECIAL SPRINGS Aug-09

TYPE E x Lo	V (Green) Light Load	B (Blue) Medium Load	R (Red) Heavy Load	G (Yellow) Extra-Heavy
10 x 025	Rs. 60/-	Rs. 65/-	Rs. 70/-	Rs. 75/-
10 x 032	Rs. 65/-	Rs. 70/-	Rs. 75/-	Rs. 80/-
10 x 038	Rs. 70/-	Rs. 75/-	Rs. 90/-	Rs. 100/-
10 x 044	Rs. 75/-	Rs. 90/-	Rs. 100/-	Rs. 120/-
10 x 051	Rs. 90/-	Rs. 100/-	Rs. 120/-	Rs. 125/-
10 x 064	Rs. 100/-	Rs. 105/-	Rs. 125/-	Rs. 140/-
10 x 076	Rs. 105/-	Rs. 125/-	Rs. 140/-	Rs. 160/-
10 x 305	Rs. 310/-	Rs. 450/-	Rs. 595/-	Rs. 665/-
13 x 025	Rs. 70/-	Rs. 75/-	Rs. 90/-	Rs. 100/-
13 x 032	Rs. 75/-	Rs. 90/-	Rs. 100/-	Rs. 120/-
13 x 038	Rs. 90/-	Rs. 100/-	Rs. 120/-	Rs. 125/-
13 x 044	Rs. 100/-	Rs. 120/-	Rs. 125/-	Rs. 130/-
13 x 051	Rs. 120/-	Rs. 125/-	Rs. 130/-	Rs. 140/-
13 x 064	Rs. 125/-	Rs. 130/-	Rs. 140/-	Rs. 160/-
13 x 076	Rs. 130/-	Rs. 140/-	Rs. 155/-	Rs. 165/-
13 x 089	Rs. 140/-	Rs. 155/-	Rs. 160/-	Rs. 175/-
13 x 102	Rs. 155/-	Rs. 185/-	Rs. 205/-	Rs. 255/-
13 x 305	Rs. 340/-	Rs. 475/-	Rs. 665/-	Rs. 730/-
16 x 025	Rs. 75/-	Rs. 90/-	Rs. 100/-	Rs. 125/-
16 x 032	Rs. 90/-	Rs. 100/-	Rs. 120/-	Rs. 130/-
16 x 039	Rs. 100/-	Rs. 120/-	Rs. 125/-	Rs. 140/-
16 x 044	Rs. 120/-	Rs. 125/-	Rs. 130/-	Rs. 155/-
16 x 051	Rs. 125/-	Rs. 130/-	Rs. 140/-	Rs. 160/-
16 x 064	Rs. 130/-	Rs. 140/-	Rs. 150/-	Rs. 175/-
16 x 076	Rs. 140/-	Rs. 155/-	Rs. 160/-	Rs. 185/-
16 x 089	Rs. 155/-	Rs. 165/-	Rs. 175/-	Rs. 200/-
16 x 102	Rs. 160/-	Rs. 185/-	Rs. 225/-	Rs. 260/-
16 x 115	Rs. 175/-	Rs. 225/-	Rs. 260/-	Rs. 275/-
16 x 305	Rs. 555/-	Rs. 595/-	Rs. 705/-	Rs. 785/-
20 x 025	Rs. 90/-	Rs. 100/-	Rs. 125/-	Rs. 155/-
20 x 032	Rs. 100/-	Rs. 120/-	Rs. 130/-	Rs. 160/-
20 x 038	Rs. 120/-	Rs. 125/-	Rs. 140/-	Rs. 165/-
20 x 044	Rs. 125/-	Rs. 130/-	Rs. 155/-	Rs. 175/-
20 x 051	Rs. 130/-	Rs. 140/-	Rs. 165/-	Rs. 200/-
20 x 064	Rs. 140/-	Rs. 160/-	Rs. 175/-	Rs. 205/-
20 x 076	Rs. 160/-	Rs. 165/-	Rs. 200/-	Rs. 225/-
20 x 089	Rs. 165/-	Rs. 185/-	Rs. 235/-	Rs. 260/-
20 x 102	Rs. 185/-	Rs. 200/-	Rs. 260/-	Rs. 275/-
20 x 115	Rs. 205/-	Rs. 225/-	Rs. 275/-	Rs. 310/-
20 x 127	Rs. 220/-	Rs. 255/-	Rs. 305/-	Rs. 340/-
20 x 139	Rs. 225/-	Rs. 265/-	Rs. 330/-	Rs. 370/-
20 x 152	Rs. 235/-	Rs. 280/-	Rs. 350/-	Rs. 400/-
20 x 305	Rs. 705/-	Rs. 835/-	Rs. 920/-	Rs. 1055/-

# PLASTEK INDIA

## DIES & MOULDS ACCESSORIES

### SPECIAL SPRINGS Aug-09

TYPE E x Lo	V (Green) Light Load	B (Blue) Medium Load	R (Red) Heavy Load	G (Yellow) Extra-Heavy
25 x 025	Rs. 100/-	Rs. 120/-	Rs. 130/-	Rs. 160/-
25 x 032	Rs. 120/-	Rs. 125/-	Rs. 155/-	Rs. 175/-
25 x 038	Rs. 130/-	Rs. 140/-	Rs. 165/-	Rs. 195/-
25 x 044	Rs. 140/-	Rs. 160/-	Rs. 185/-	Rs. 205/-
25 x 051	Rs. 160/-	Rs. 165/-	Rs. 205/-	Rs. 225/-
25 x 064	Rs. 175/-	Rs. 185/-	Rs. 225/-	Rs. 255/-
25 x 076	Rs. 200/-	Rs. 205/-	Rs. 255/-	Rs. 275/-
25 x 089	Rs. 235/-	Rs. 265/-	Rs. 270/-	Rs. 305/-
25 x 102	Rs. 265/-	Rs. 285/-	Rs. 290/-	Rs. 340/-
25 x 115	Rs. 285/-	Rs. 310/-	Rs. 335/-	Rs. 370/-
25 x 127	Rs. 310/-	Rs. 335/-	Rs. 375/-	Rs. 405/-
25 x 139	Rs. 360/-	Rs. 365/-	Rs. 405/-	Rs. 440/-
25 x 152	Rs. 375/-	Rs. 395/-	Rs. 450/-	Rs. 485/-
25 x 178	Rs. 405/-	Rs. 425/-	Rs. 505/-	Rs. 540/-
25 x 203	Rs. 460/-	Rs. 475/-	Rs. 595/-	Rs. 600/-
25 x 305	Rs. 955/-	Rs. 1035/-	Rs. 1135/-	Rs. 1215/-
32 x 038	Rs. 165/-	Rs. 175/-	Rs. 225/-	Rs. 260/-
32 x 044	Rs. 175/-	Rs. 200/-	Rs. 235/-	Rs. 275/-
32 x 051	Rs. 200/-	Rs. 220/-	Rs. 260/-	Rs. 290/-
32 x 064	Rs. 225/-	Rs. 255/-	Rs. 290/-	Rs. 340/-
32 x 076	Rs. 255/-	Rs. 275/-	Rs. 340/-	Rs. 375/-
32 x 089	Rs. 285/-	Rs. 310/-	Rs. 375/-	Rs. 425/-
32 x 102	Rs. 320/-	Rs. 350/-	Rs. 325/-	Rs. 490/-
32 x 115	Rs. 365/-	Rs. 400/-	Rs. 490/-	Rs. 550/-
32 x 127	Rs. 405/-	Rs. 475/-	Rs. 550/-	Rs. 595/-
32 x 139	Rs. 450/-	Rs. 495/-	Rs. 595/-	Rs. 665/-
32 x 152	Rs. 485/-	Rs. 530/-	Rs. 660/-	Rs. 735/-
32 x 178	Rs. 540/-	Rs. 585/-	Rs. 725/-	Rs. 830/-
32 x 203	Rs. 600/-	Rs. 655/-	Rs. 835/-	Rs. 945/-
32 x 254	Rs. 695/-	Rs. 770/-	Rs. 945/-	Rs. 1035/-
32 x 305	Rs. 1010/-	Rs. 1185/-	Rs. 1325/-	Rs. 1540/-
40 x 025	Rs. 235/-	Rs. 260/-	Rs. 310/-	Rs. 365/-
40 x 064	Rs. 275/-	Rs. 290/-	Rs. 365/-	Rs. 425/-
40 x 076	Rs. 320/-	Rs. 365/-	Rs. 425/-	Rs. 500/-
40 x 089	Rs. 395/-	Rs. 420/-	Rs. 500/-	Rs. 595/-
40 x 102	Rs. 450/-	Rs. 485/-	Rs. 595/-	Rs. 695/-
40 x 115	Rs. 500/-	Rs. 540/-	Rs. 695/-	Rs. 785/-
40 x 127	Rs. 565/-	Rs. 600/-	Rs. 785/-	Rs. 890/-
40 x 139	Rs. 600/-	Rs. 640/-	Rs. 800/-	Rs. 945/-
40 x 152	Rs. 665/-	Rs. 695/-	Rs. 865/-	Rs. 990/-
40 x 178	Rs. 730/-	Rs. 770/-	Rs. 945/-	Rs. 1090/-
40 x 203	Rs. 830/-	Rs. 855/-	Rs. 1035/-	Rs. 1185/-
40 x 254	Rs. 920/-	Rs. 945/-	Rs. 1155/-	Rs. 1325/-
40 x 305	Rs. 1250/-	Rs. 1425/-	Rs. 1660/-	Rs. 1945/-

# PLASTEK INDIA

## DIES & MOULDS ACCESSORIES

### SPECIAL SPRINGS Aug-09

TYPE	V (Green) Light Load	B (Blue) Medium Load	R (Red) Heavy Load	G (Yellow) Extra-Heavy
50 x 064	Rs. 450/-	Rs. 490/-	Rs. 600/-	Rs. 705/-
50 x 076	Rs. 505/-	Rs. 565/-	Rs. 695/-	Rs. 855/-
50 x 089	Rs. 595/-	Rs. 640/-	Rs. 785/-	Rs. 955/-
50 x 102	Rs. 665/-	Rs. 730/-	Rs. 880/-	Rs. 1055/-
50 x 115	Rs. 730/-	Rs. 800/-	Rs. 990/-	Rs. 1185/-
50 x 127	Rs. 835/-	Rs. 890/-	Rs. 1120/-	Rs. 1310/-
50 x 139	Rs. 880/-	Rs. 955/-	Rs. 1215/-	Rs. 1440/-
50 x 152	Rs. 930/-	Rs. 1035/-	Rs. 1295/-	Rs. 1575/-
50 x 178	Rs. 1035/-	Rs. 1165/-	Rs. 1440/-	Rs. 1725/-
50 x 203	Rs. 1055/-	Rs. 1295/-	Rs. 1645/-	Rs. 1915/-
50 x 229	-	Rs. 1585/-	-	-
50 x 254	Rs. 1485/-	Rs. 1745/-	Rs. 2145/-	Rs. 2530/-
50 x 305	Rs. 2055/-	Rs. 2475/-	Rs. 2810/-	Rs. 3355/-
63 x 076	Rs. 990/-	Rs. 1165/-	Rs. 1745/-	Rs. 2400/-
63 x 089	Rs. 1135/-	Rs. 1230/-	Rs. 1835/-	Rs. 2530/-
63 x 102	Rs. 1390/-	Rs. 1425/-	Rs. 2120/-	Rs. 2865/-
63 x 115	Rs. 1485/-	Rs. 1520/-	Rs. 2285/-	Rs. 3065/-
63 x 127	Rs. 1575/-	Rs. 1595/-	Rs. 2400/-	Rs. 3260/-
63 x 152	Rs. 1725/-	Rs. 1835/-	Rs. 2780/-	Rs. 3725/-
63 x 178	Rs. 1960/-	Rs. 2145/-	Rs. 3260/-	Rs. 4390/-
63 x 203	Rs. 2175/-	Rs. 2410/-	Rs. 3660/-	Rs. 4925/-
63 x 229	-	Rs. 2715/-	-	-
63 x 254	Rs. 2895/-	Rs. 3065/-	Rs. 4660/-	Rs. 6170/-
63 x 305	Rs. 3640/-	Rs. 3775/-	Rs. 5755/-	Rs. 7625/-